

# Assembly Manual

Status 27 June 2023



FLEXIBLE  
Privacy shield /  
Noise protection

\*R = 26 dB corresponds to Category B3 of noise protection according to DIN EN 1793-2

# CONTENTS

## WELCOME

*Welcome to our NATURinFORM world. We are delighted that you have decided to use our products.*

*This laying manual was created carefully for you to give you the optimum amount of information regarding our products and it is being regularly further developed and updated. It contains all the information on the material, its attributes, planning foundations and the correct usage.*

*You can find the current (and valid) version of this laying manual on the internet at [www.naturinform.com](http://www.naturinform.com).*

*Thank you for trusting in NATURinFORM.  
Best regards,*

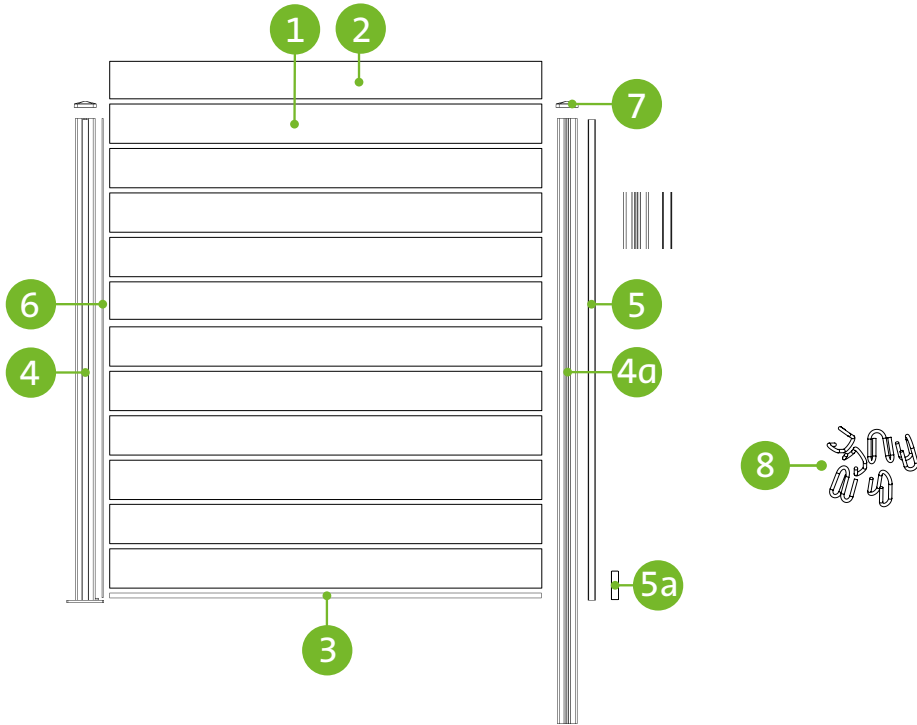


*Horst Walther  
Founder and Managing Director*

## CONTENTS

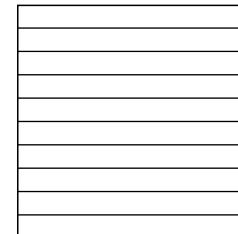
- 3 Delivery scope and tool requirements
- 4 Planning foundations
- 6 Steps to construct your privacy shield fence
- 8 Window modules made of acrylic and stainless steel
- 9 Drilling template for simple assembly
- 10 Useful information

# DELIVERY SCOPE



## List surface set FLEXIBLE privacy shield

	Item name	Measurements	Piece / Unit
1	Slat profile	175 x 15 x 2,4 cm	11
2	Slat profile without groove	175 x 15 x 2,4 cm	1
3	Lower steel strip	175 x 0,5 x 2 cm	1



**Surface set**  
ca. 180 x 175 cm

## List post set FLEXIBLE privacy shield for bolting with ground anchor

	Item name	Measurements	Piece / Unit
4	Aluminium post for bolting with ground anchor	15 x 15 x 196 cm	1
5	Cover profile long	195 cm	2
5a	Cover profile short	10 cm	1
6	Sealing rope	D4 / 1.95 m	4
7	Cover cap	7.3 x 6.6 x 2.1 cm	1
8	Brackets for cover cap		6



**TOOLS REQUIRED**  
to mount the post set: Spirit level, tools to attach the ground anchor, metal saw to cut the cover profiles to length.

## List post set FLEXIBLE privacy shield to embed with concrete

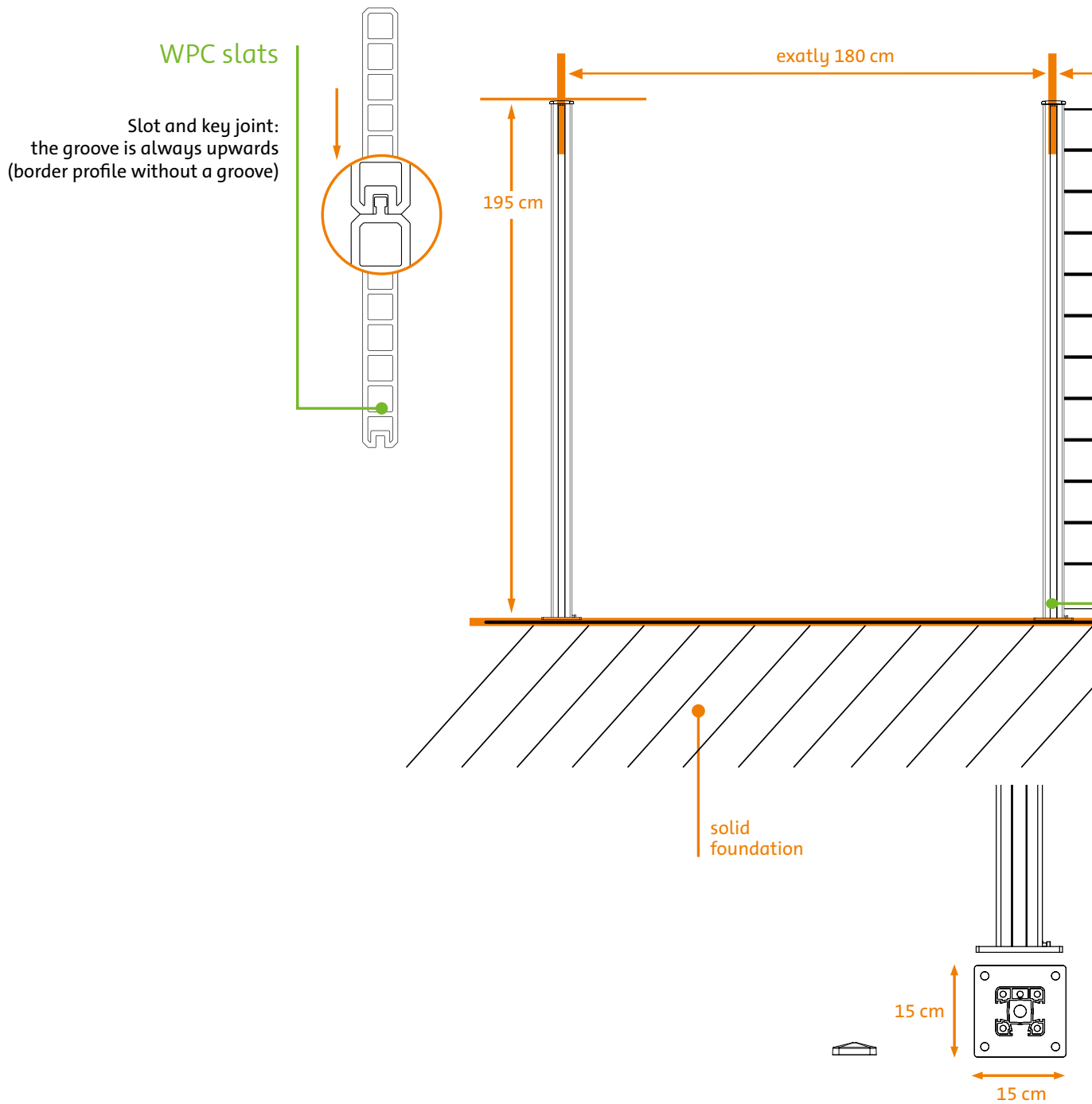
	Item name	Measurements	Piece / Unit
4a	Aluminium post to embed with concrete	8 x 8 x 245 cm	1
5	Cover profile long	195 cm	2
5a	Cover profile short	10 cm	1
6	Sealing rope	D4 / 1.95 m	4
7	Cover cap	9 x 9 x 2.5 cm	1
8	Brackets for cover cap		6

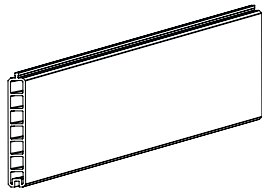


**TOOLS REQUIRED**  
to set the post set in concrete: Spirit level, metal saw

# PLANNING FOUNDATIONS

Overview of the producer processing regulations





**'FLEXIBLE'**  
WPC privacy shield

Height ca. 180 cm  
Width ca. 174 cm

Surface set with  
WPC slats

exactly 180 cm

ca. 245 cm

min. 50 cm deep  
in concrete

Post to embed with concrete  
Height ca. 195 cm  
made of aluminium  
and cap

Post to embed with concrete  
Height ca. 245 cm  
made of aluminium  
and cap

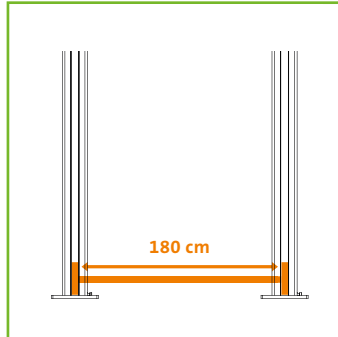
Do not remove the packaging film  
when setting in concrete.



# STEPS TO ASSEMBLE THE PRIVACY SHIELD



Abb. 1a



- 1a. The distance between the posts is 180 cm (from post center to post center). Fix the welded ground anchor using suitable screws (not in the delivery scope). The drilling template (p. 9) can be used to transfer the fixing drill holes. If necessary align the posts vertically by using gap discs.

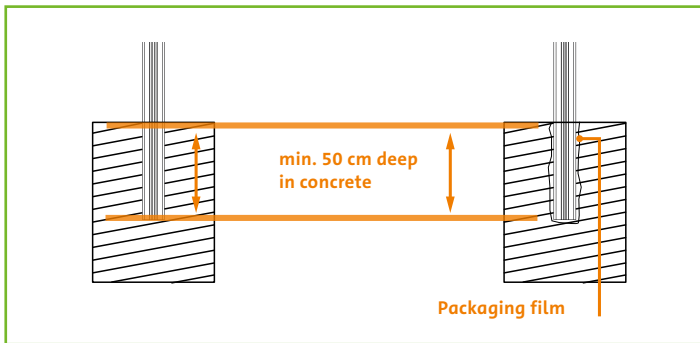
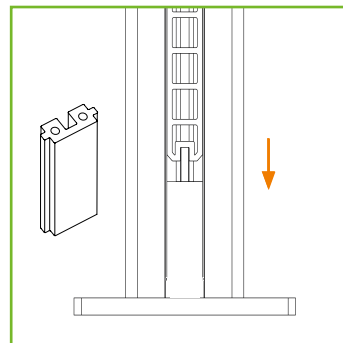


Abb. 1b

- 1b. Or: set post to embed with concrete at least 50 cm deep in concrete as a ground anchor (note sufficient hardening times). We recommend leaving on the packaging film if you are going to set it in concrete.



Abb. 2



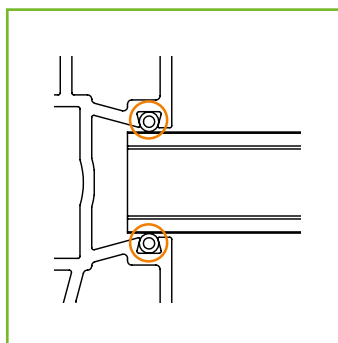
2. Cut a piece of cover profile (within the delivery scope with 10 cm) with the desired gap to the ground, (image 2). You can leave a gap to the ground from 2 to 8 cm.

Lay the lower strip of zinc-plated steel vertically onto the cover profile - this prevents longterm bending.

Lay the first WPC slat on the strip. Make sure that the strip is inserted in the slat's lower groove.



Abb. 3



3. The sealing rope needs to be inserted in the small dovetail grooves in the panels (image 3), beginning from the bottom.

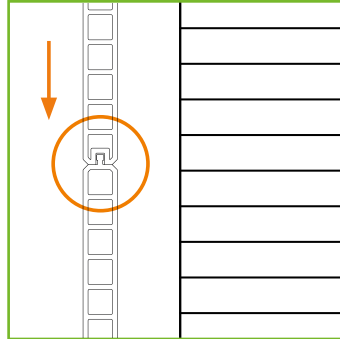
There are 4 small grooves intended per post. The sealing rope awards additional noise protection.

Lay the first WPC panel onto the strip. Make sure that the strip is inserted into the panel's lower groove.

Note: Assembly pictures may show old profile surface.



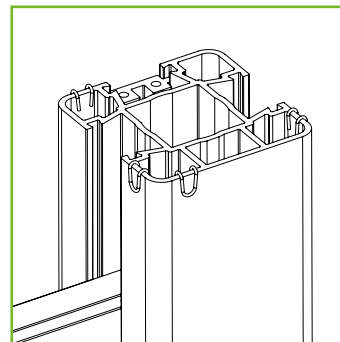
Abb. 4



4. Insert all further slats using the slot and key method. Use the slat without a groove as the topmost profile.



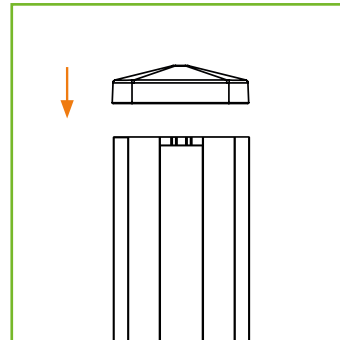
Abb. 5



6. The small wire bracket at the end of the construction needs to be attached across the wall width of the post with the curved contour towards the outside (Image 6).



Abb. 6



7. Now hammer on the cover cap using a rubber hammer, so that it is fixed. The grooves will ensure that the cap jams itself onto the post.

**Interesting note:**

So as not to risk the material losing shape the fence slats may not be 'wedged' using too much force. It is necessary that the WPC material can 'move'.

# WINDOW MODULES MADE OF ACRYLIC AND STAINLESS STEEL

as an addition



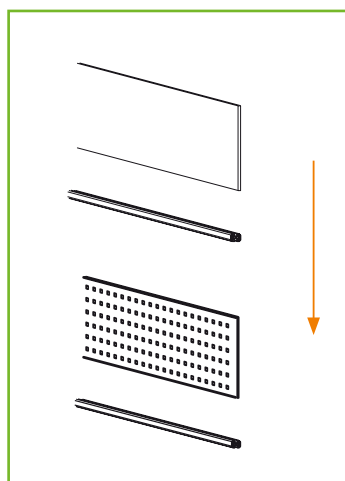
Abb. 1

1. To insert an acrylic or stainless steel window module, simply replace a slat with a window module and a suitable adapter profile.

The cover profiles within the delivery scope can be used on the sides.



Abb. 2



2. Fix the adapter profile onto the slat. Insert the window module into the adapter profile's groove.

The next slat's groove is inserted directly into the window module.

**Interesting to know:**

The module with the addition ,1-fold' replaces exactly one slat.

Note: Assembly pictures may show old profile surface.

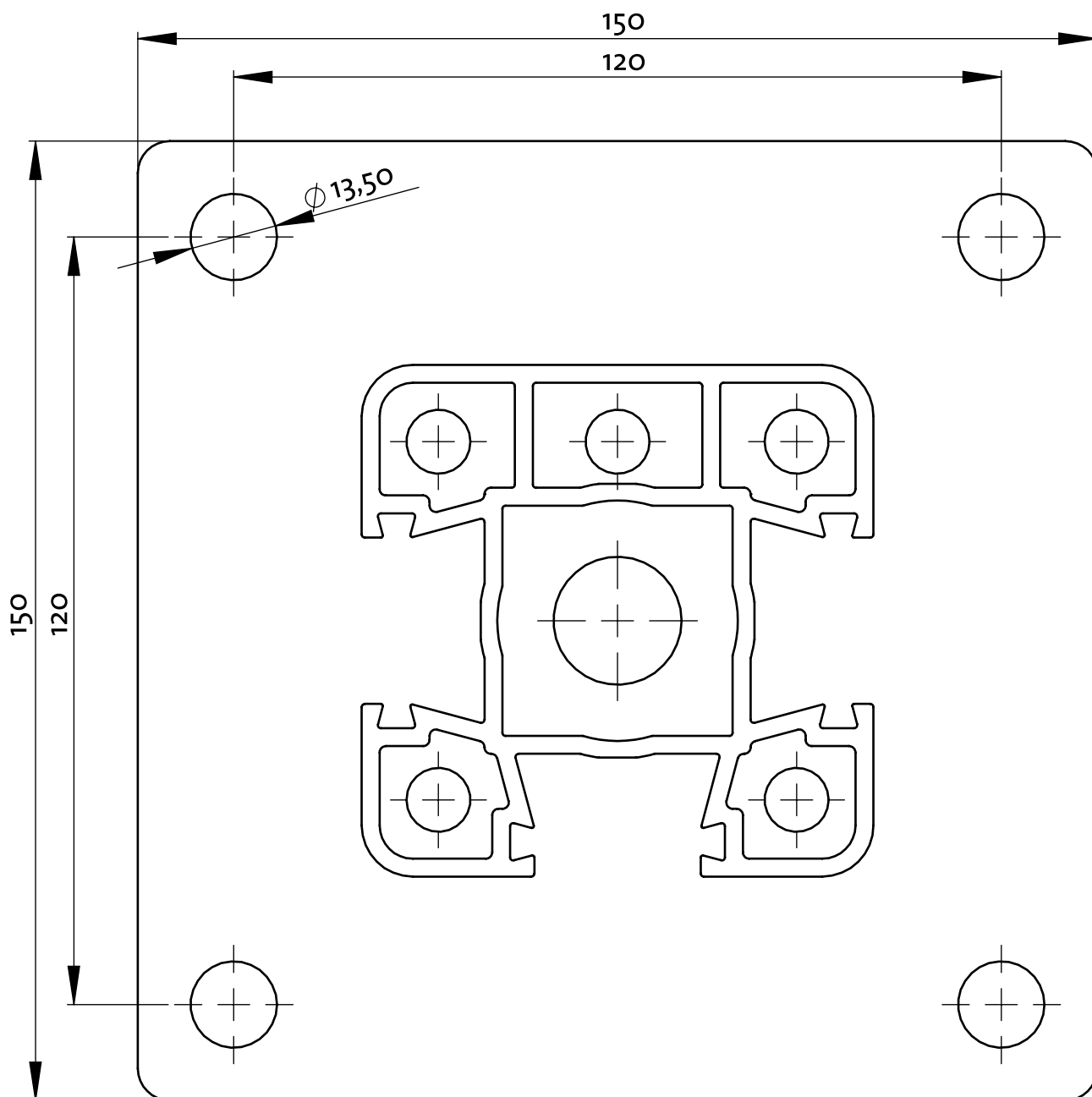


# DRILLING TEMPLATE

or simple assembly

**Print out as an assembly aid.**

Please make sure your printer is set to 100 % scale when you print this out.



# USEFUL INFORMATION

- ✓ With privacy shields you must note the own weight of the shield and the local wind load when planning and executing the construction and on streets and paths you have to ensure health and safety requirements are met for the surrounding areas. Please ask your expert dealer for advice prior to construction! It is the layer's responsibility to process the product expertly.
- ✓ Assemble the lowest profile in such a way that it does not touch the ground or the earth. The optimum gap is at least 50 mm..
- ✓ Mount the posts at a distance of 180 cm (middle of one post to the middle of the next post).
- ✓ The dimensions of the foundations for the posts and attaching dowels are to be adapted to the static requirements. With longer privacy shield areas you must plan in and mount additional stiffeners or strengtheners to the posts in consultation with the structural engineer.
- ✓ The privacy shield slats are inserted loosely between the dovetail grooves. Do not wedge or strain the material!
- ✓ If you cannot remove stains mechanically using a brush and water, we recommend using our specially developed NATURinFORM WPC cleaning agent that you can purchase from your expert dealer..
- ✓ **Colour variations**  
When mixing the wooden fibres with the colours there is a reaction between the wood and the colour. The wooden fibres sometimes absorb the colour differently, which can lead to colour variations in the final product. It is not possible to avoid this when producing composite materials. As time goes by, these variations will become more and more similar, but they will always retain their natural attributes.



**MADE in GERMANY**

This brochure was carefully assembled for you and is constantly being further developed.  
Current and valid versions are at [www.naturinform.com](http://www.naturinform.com). Printed colours may vary. 27 June 2023

**NATUR inFORM**<sup>®</sup>

NATURinFORM GmbH  
Flurstraße 7  
D-96257 Redwitz a. d. Rodach  
Tel +49 (0) 9574 65473-0  
Fax +49 (0) 9574 65473-20  
[info@naturinform.com](mailto:info@naturinform.com)  
[www.naturinform.com](http://www.naturinform.com)

